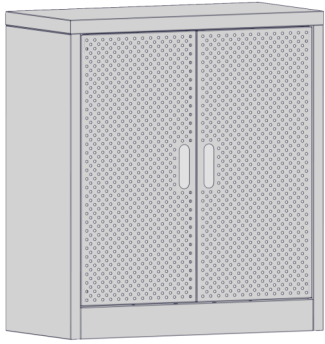
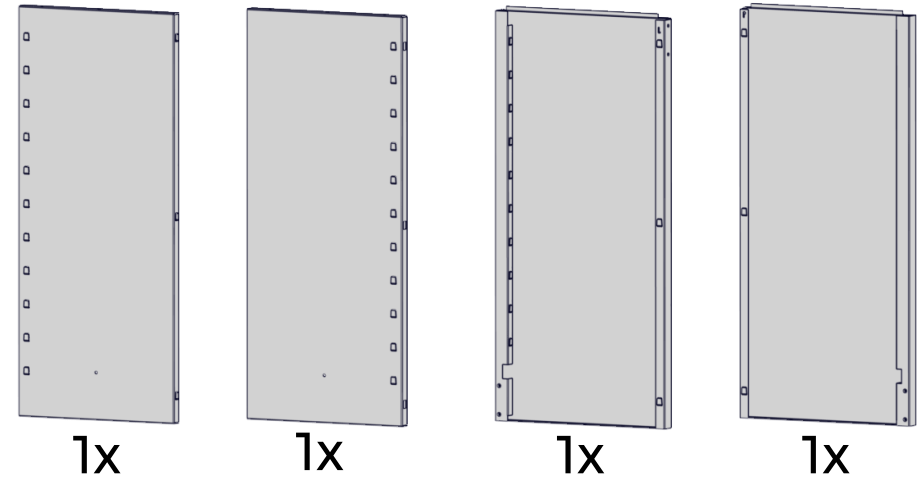
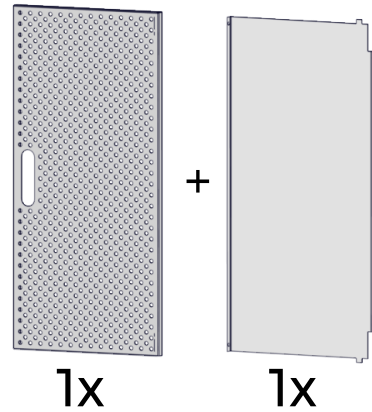
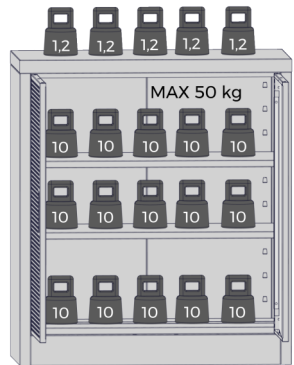
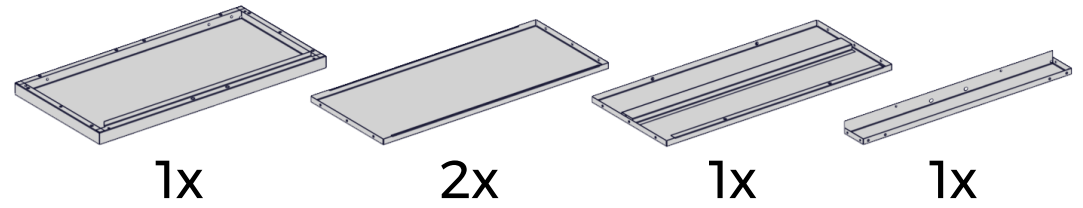
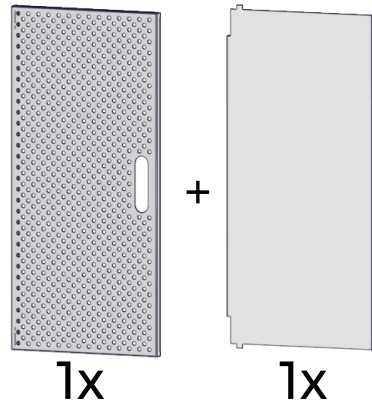
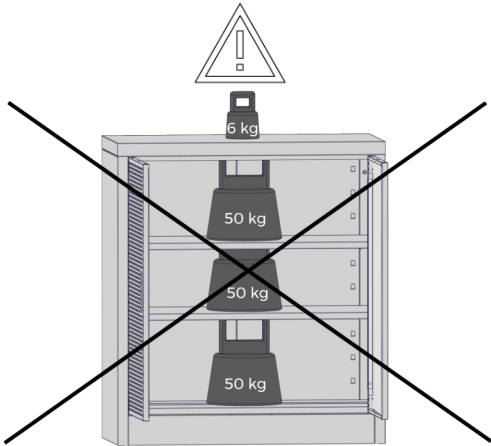
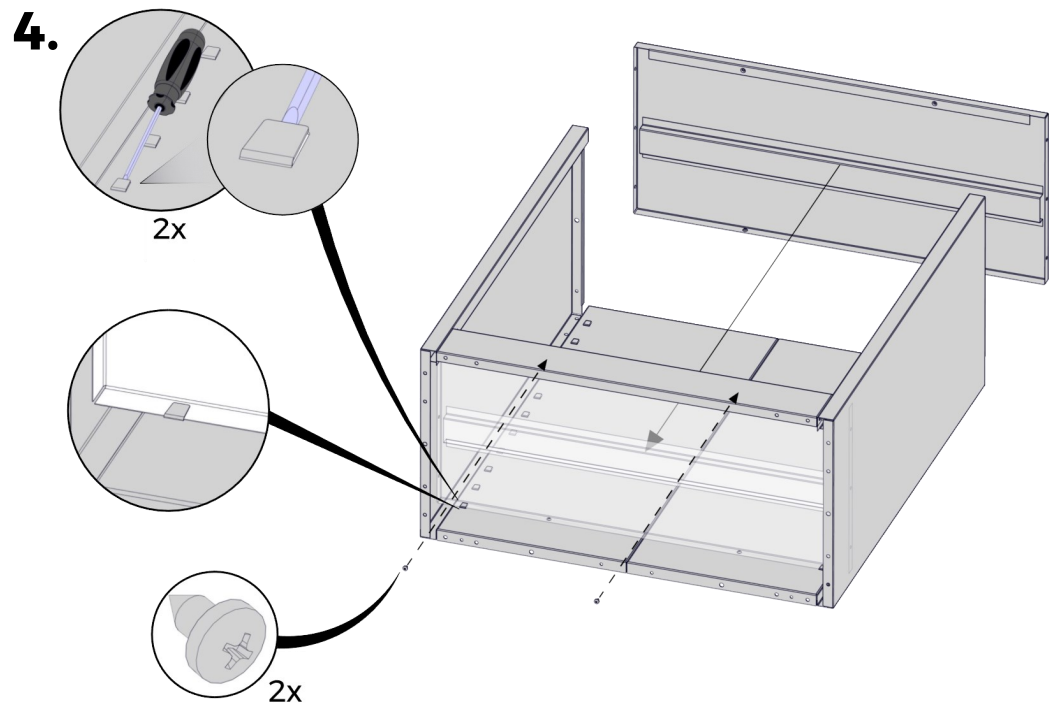
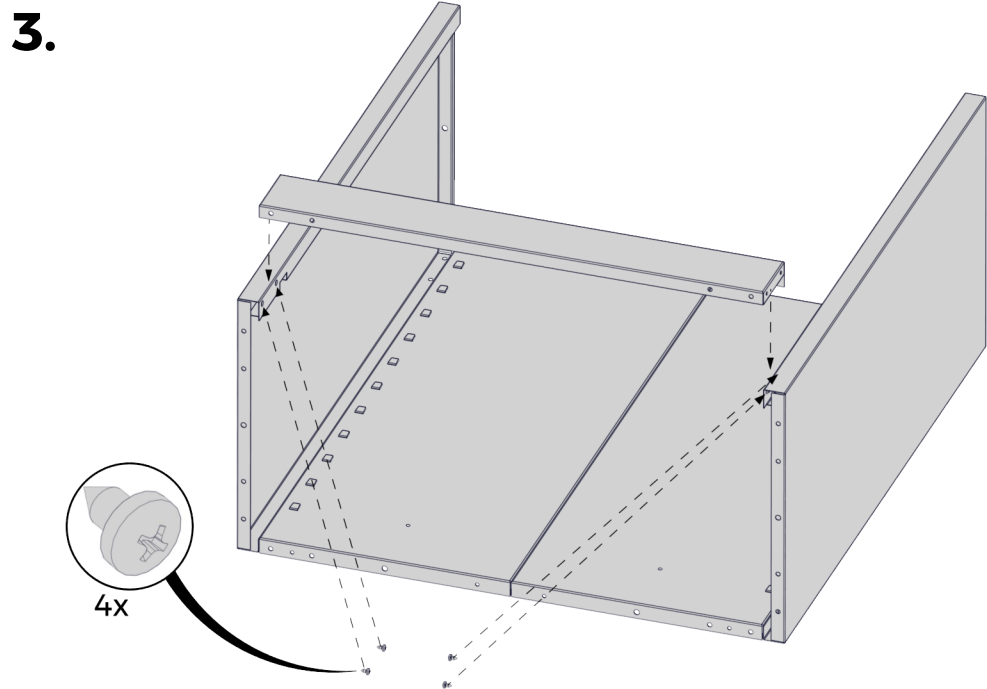
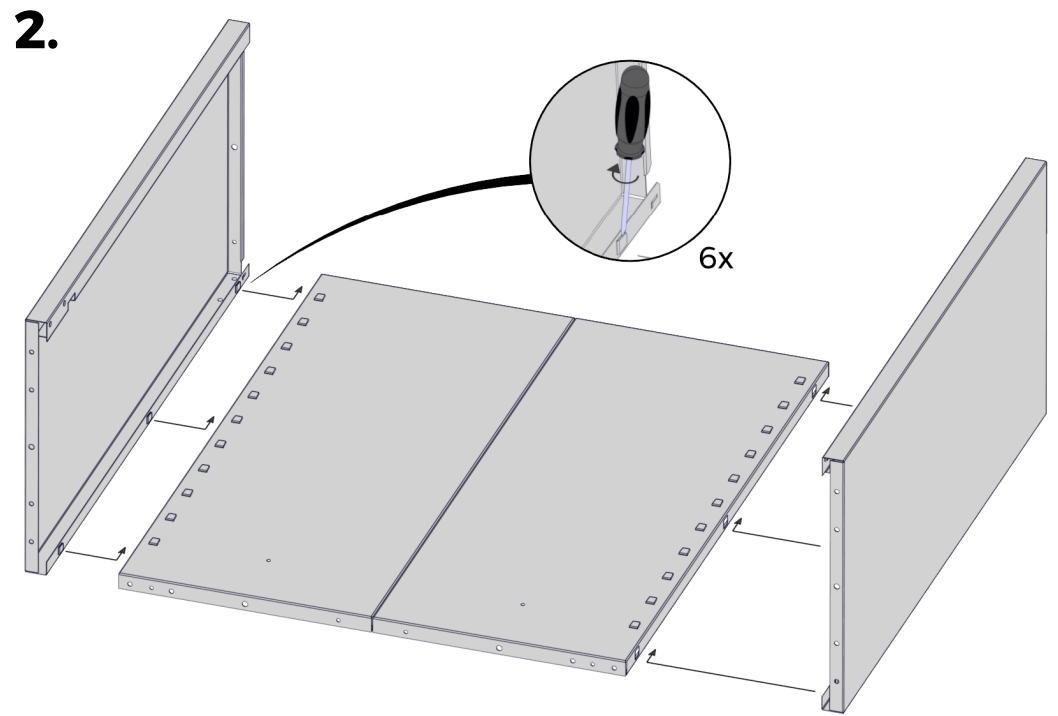
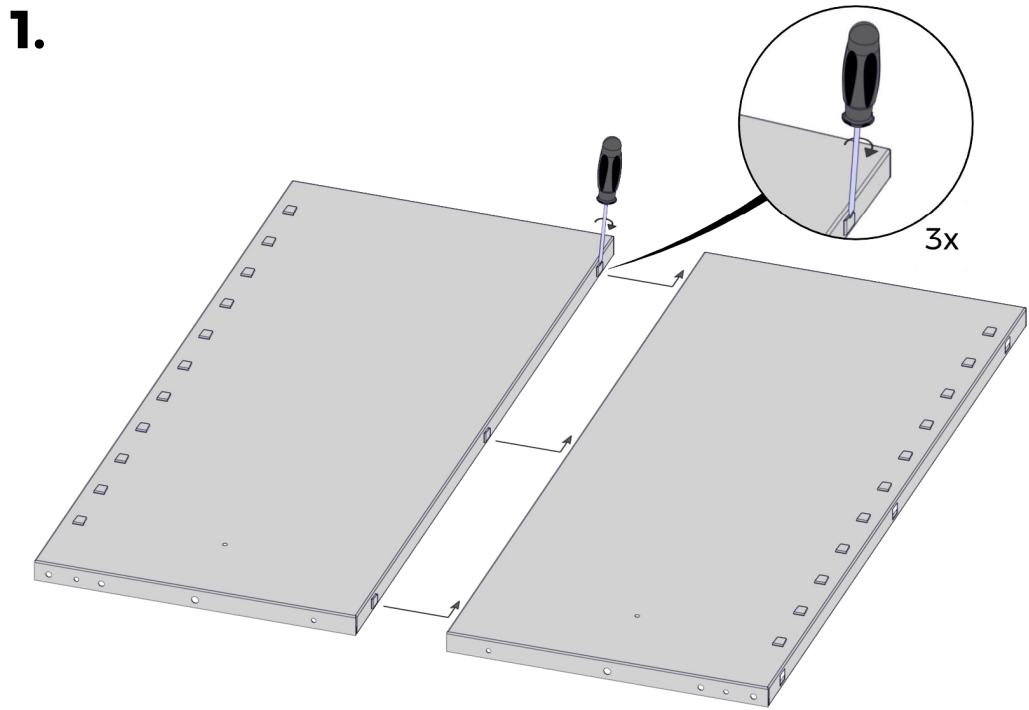


# F. Fleysen #2014

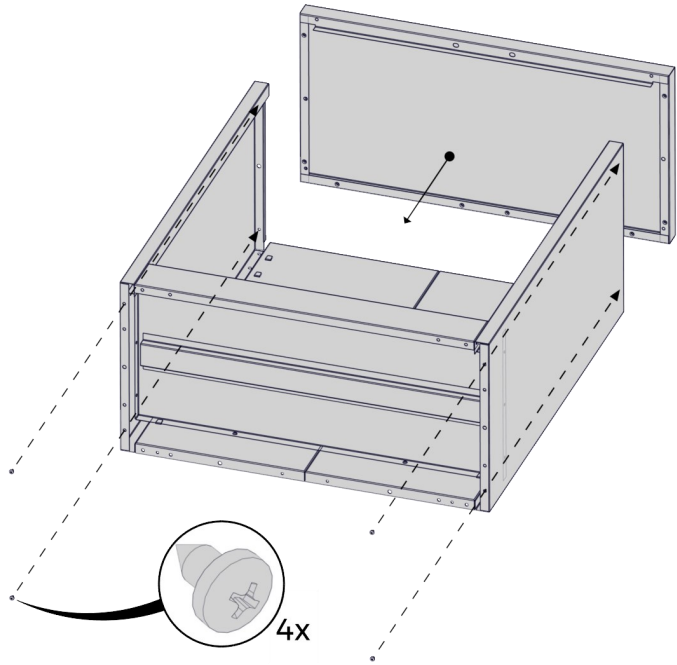


- 4x [Small rectangular plate]
- 2x [Washer]
- 8x [Hex nut]
- 8x [Hex bolt]
- 16x [Screw]
- 4x [L-shaped metal rod]
- 2x [Triangular metal plate]

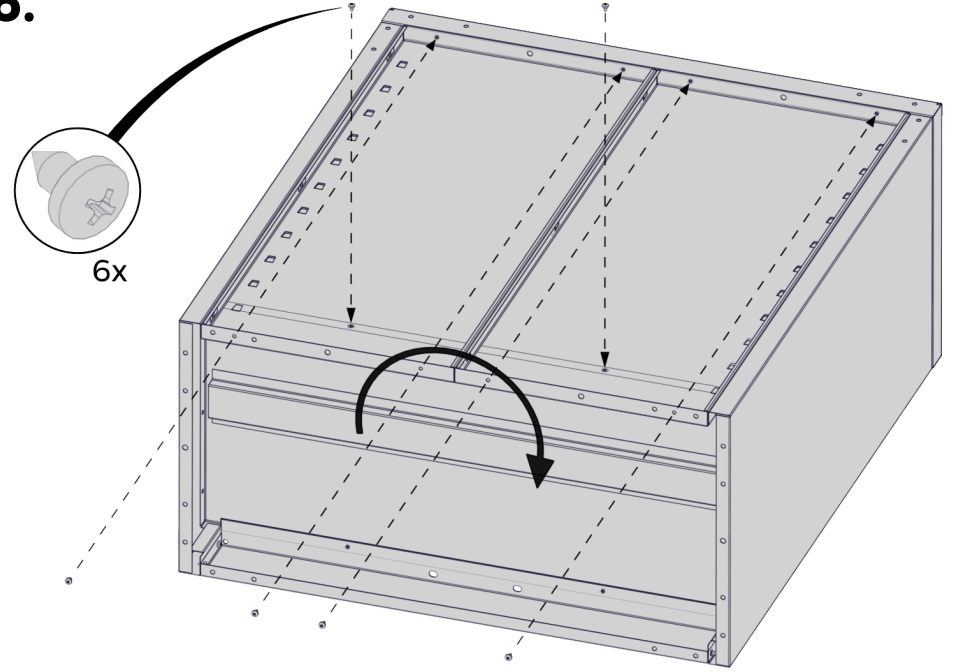




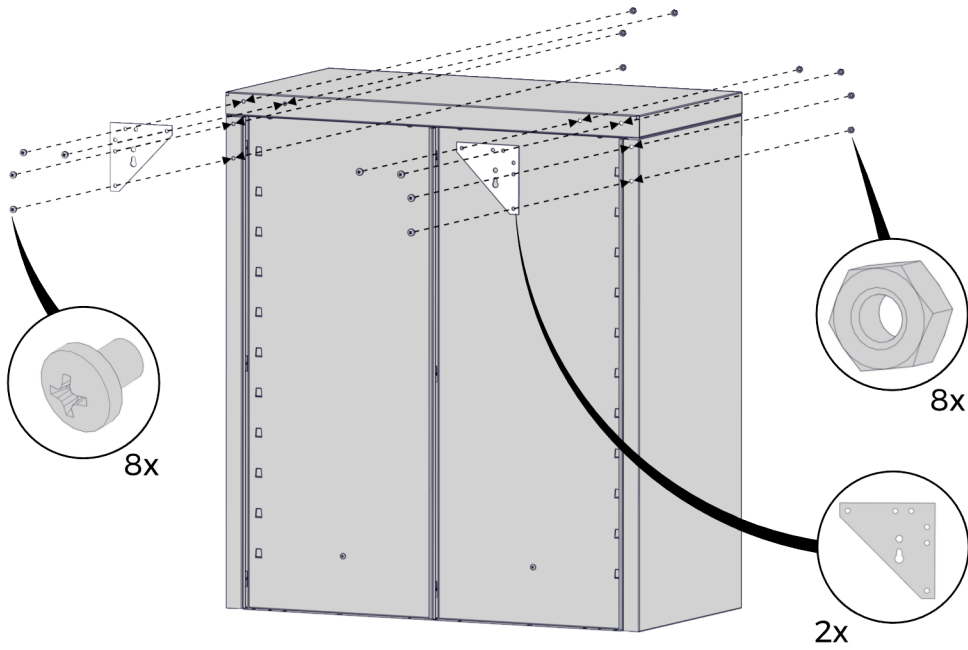
5.



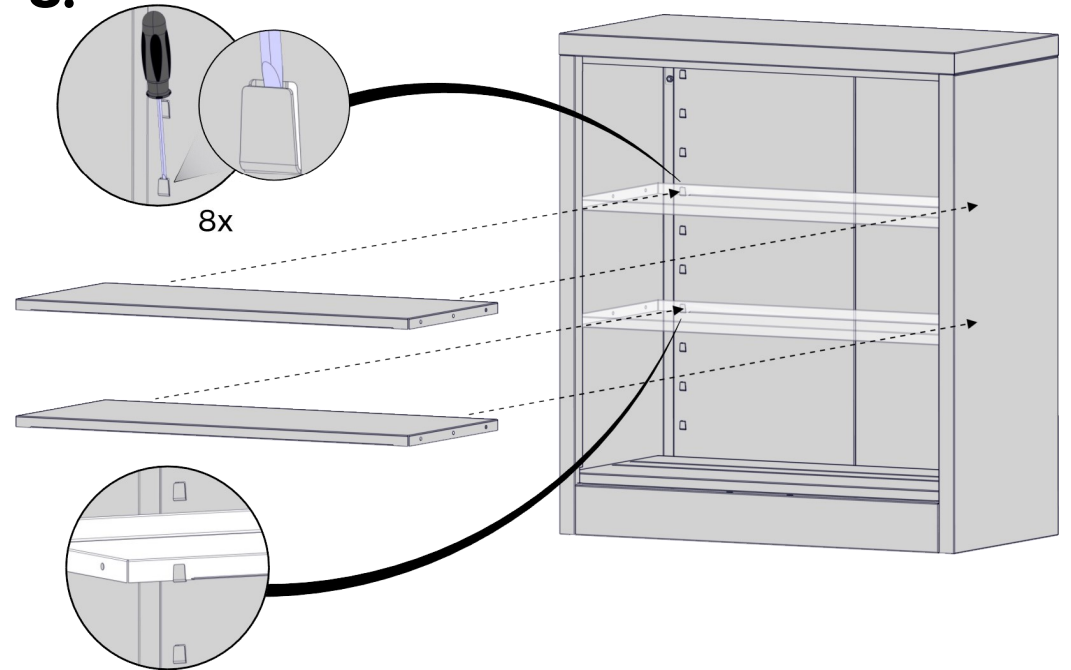
6.



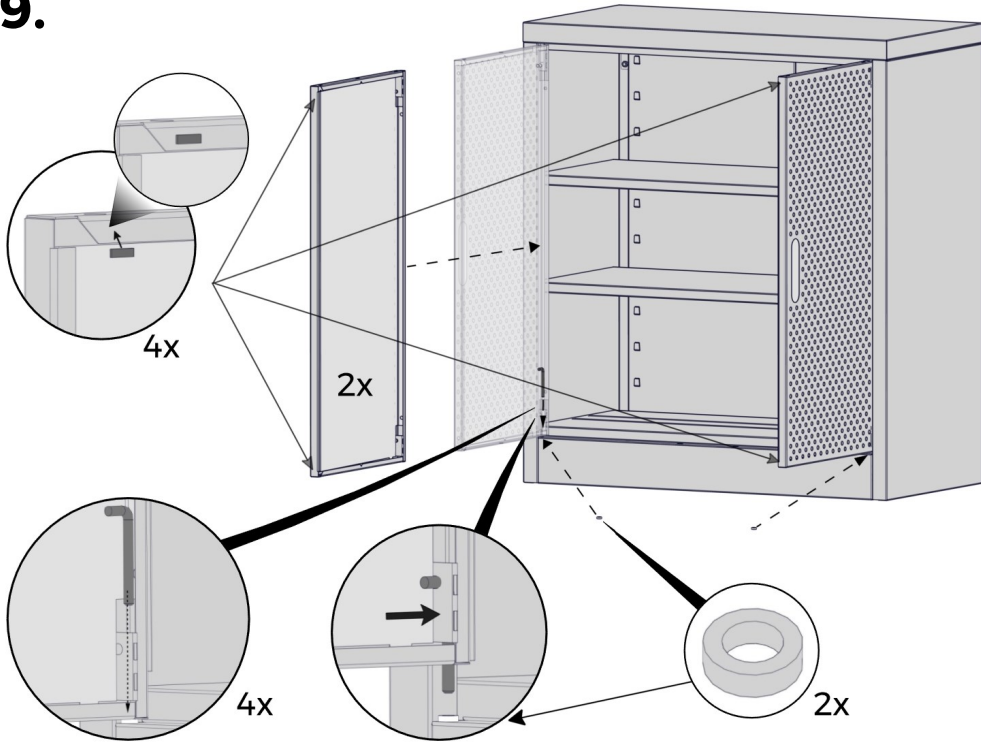
7.



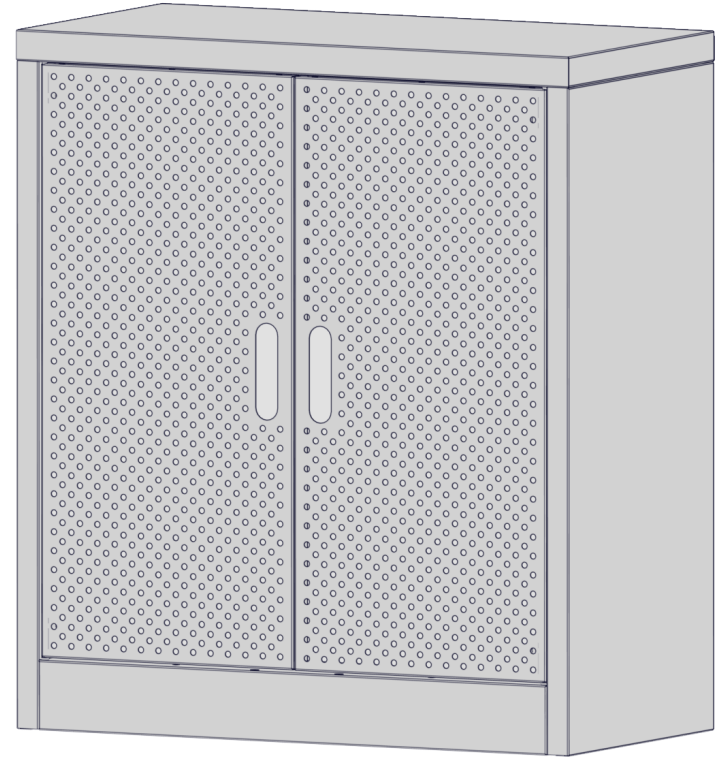
8.



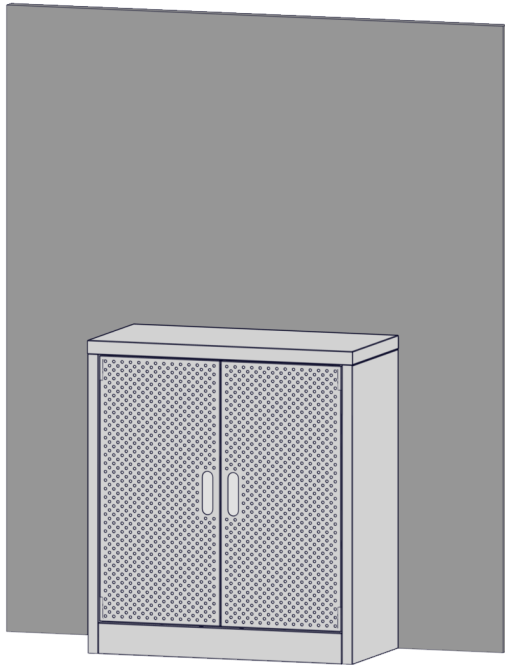
9.



10.



A



B

